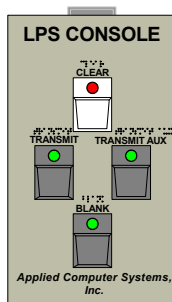


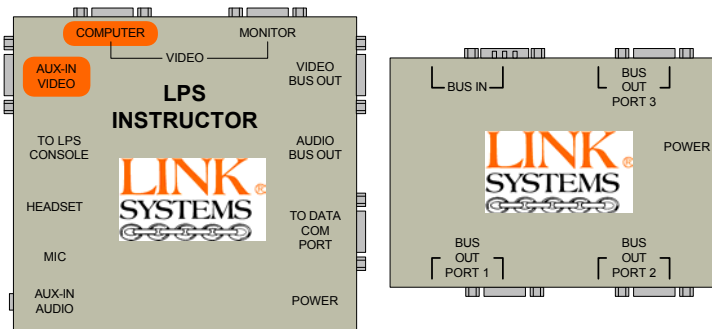
PRE-INSTALLATION PREPARATION

THESE ARE THE PARTS YOU SHOULD HAVE RECEIVED

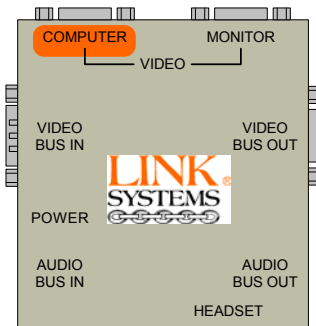
THIS IS WHAT WE CALL THEM



**LPS CONSOLE
(LPSAUD-C)**



**LPS INSTRUCTOR LC
AND (OPTIONAL) LPS
3 PORT SPLITTER**



**TRAINEE LINK CONTROL
UNIT (Beige or Black)
QTY. 1 per STUDENT**



**VIDEO PIGTAIL
1 per STUDENT (2/INSTR)**



**BUS CABLE (DB9)
QTY. 1 per STUDENT**



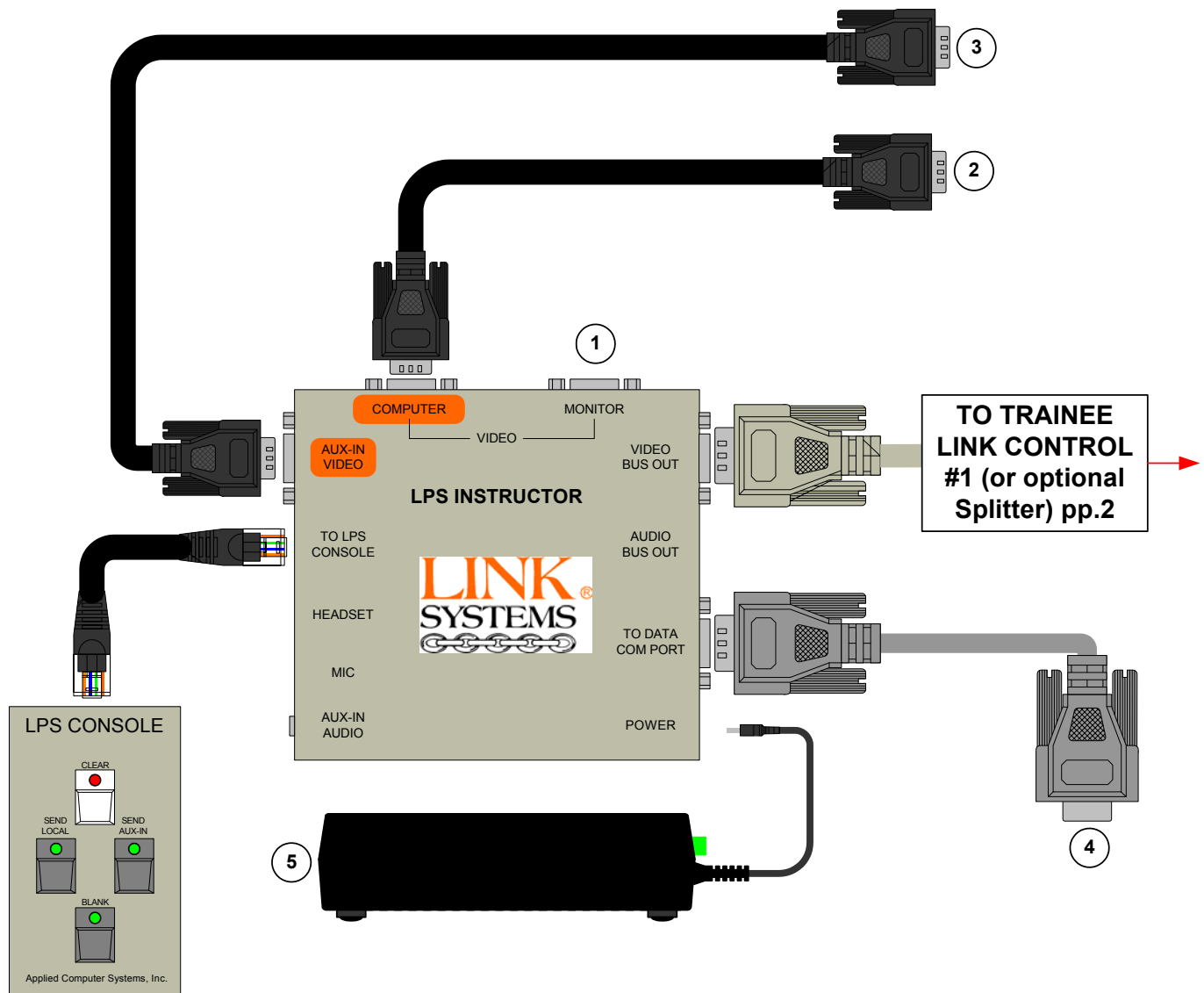
**INSTRUCTOR CONSOLE/
CABLE
QTY. 1 W/LPS**



**LPS POWER SUPPLY
QTY. 1 per 12 STUDENTS**

INSTALLING THE LPS LINK SYSTEM pp.1

THESE ARE THE INSTRUCTOR CONNECTIONS

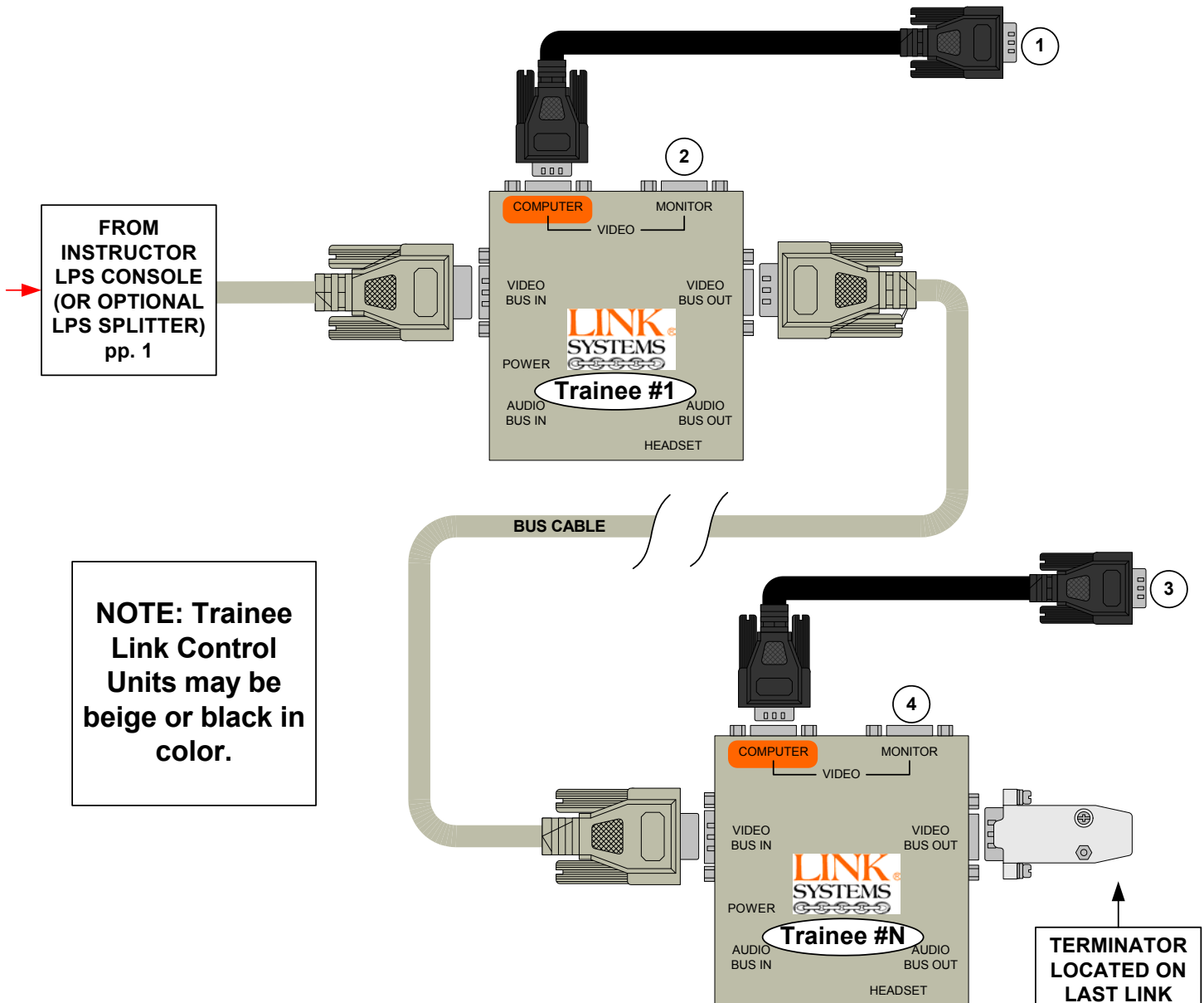


- 1 Connect your Instructor Monitor here
- 2 Connect to your Instructor Computer VGA port (where you normally connect your monitor)
- 3 Connect a laptop computer here (optional)
- 4 Connect to a serial (com) port on your instructor computer (LPS Plus users only)
- 5 Connect the provided power cord here, then connect the other end to an AC outlet

TECHNICAL ASSISTANCE CALL 1-800-237-5465

INSTALLING THE LPS LINK SYSTEM pp.2

THESE ARE THE TRAINEE CONNECTIONS



HELPFUL HINT!!!!

The classroom drawing provided in this section specifies the proper layout and location for all Bus Cables and Link Control Units. Please follow this order when installing. Failure to do so may result in poor image quality and/or control errors.

FOR TECHNICAL ASSISTANCE CALL 1-800-237-5465

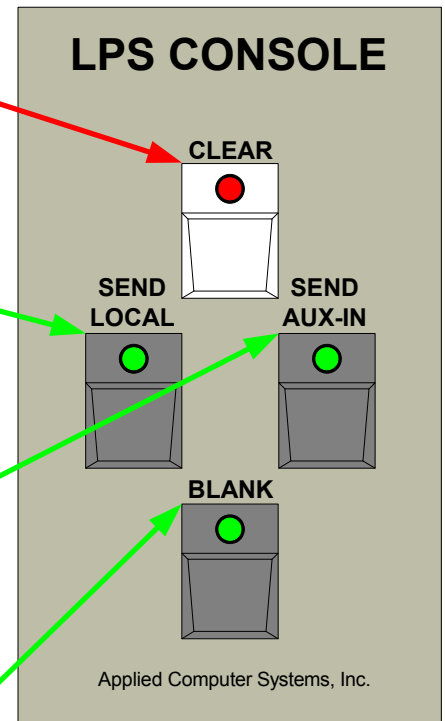
OPERATING THE LPS SYSTEM

CLEAR: Pressing "CLEAR" switches all stations to "LOCAL" (stand-alone) mode . When in doubt always press "CLEAR" to start over.

SEND LOCAL: Pressing "SEND LOCAL" transmits the instructors display to all the trainees monitors. Press "CLEAR" when you are finished with this action.

SEND AUX IN: The purpose of this switch is to transmit out an Auxiliary source from the Instructor station (such as a laptop computer) to all the Trainee stations.

BLANK: Pressing "BLANK" transmits a black image to all the trainee monitors (great for lecturing). Press "CLEAR" when you are finished with this action.



SPECIAL NOTES:

When connecting a laptop make sure the VGA output is activated on the computer (see laptop's owners manual for instructions).

You can attach a VCR or any other type of NTSC video source with a NTSC to VGA converter. Both internal and external units are available at most computer stores or on the web.

????? For assistance call 1-800-237-LINK ??????
www.acs-linksystems.com